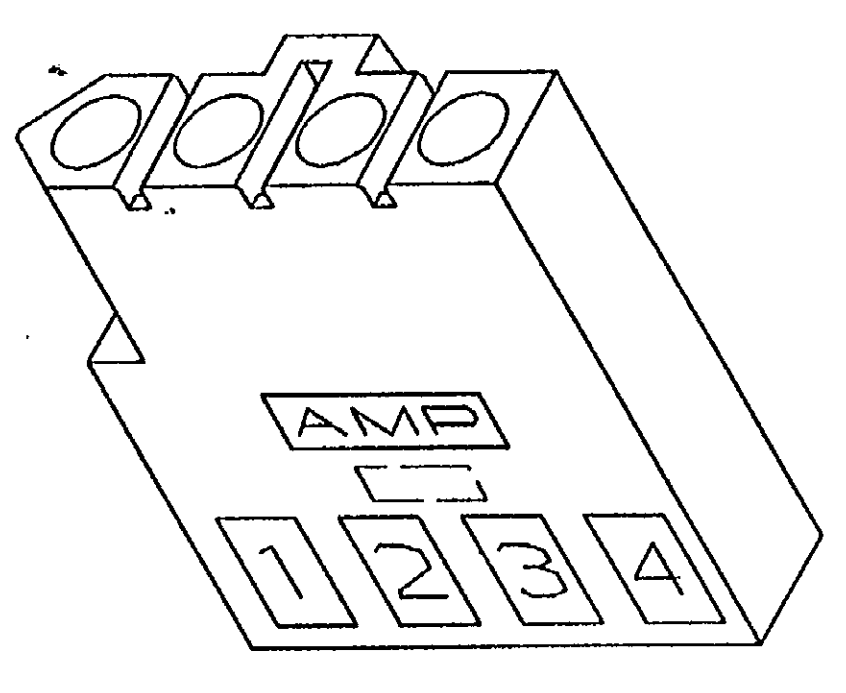
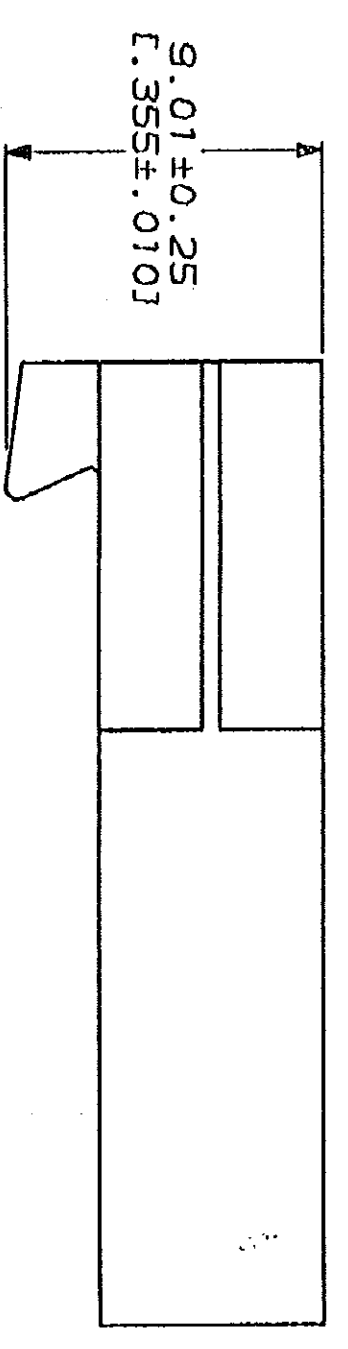
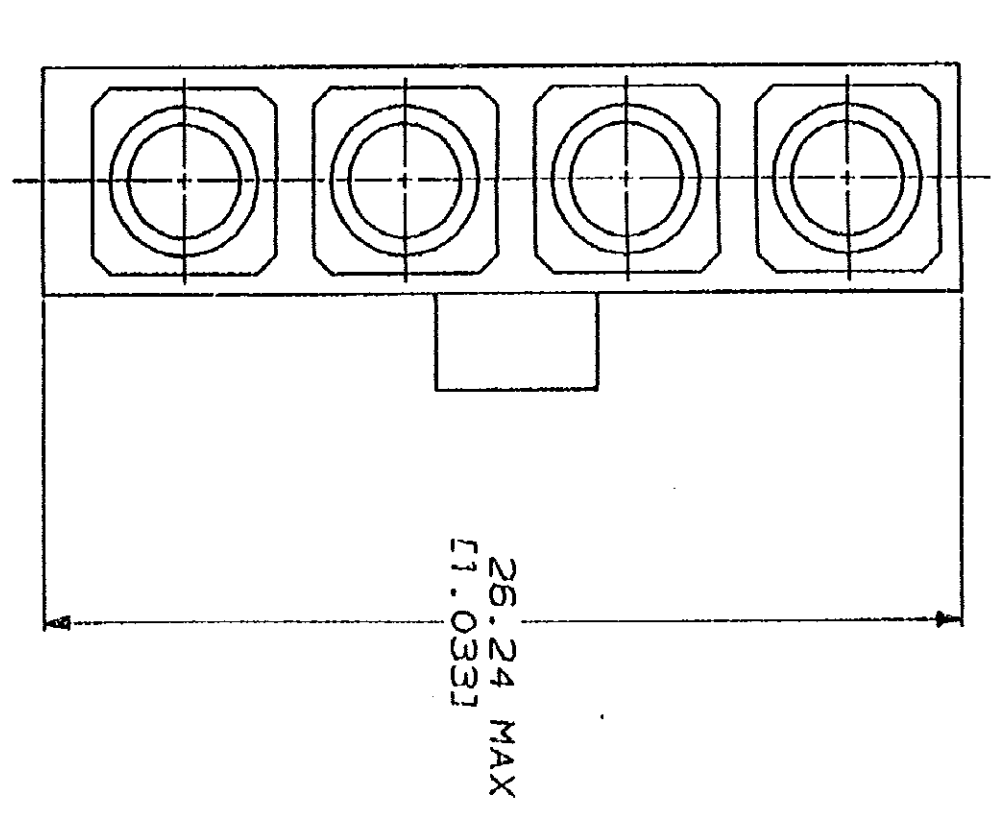
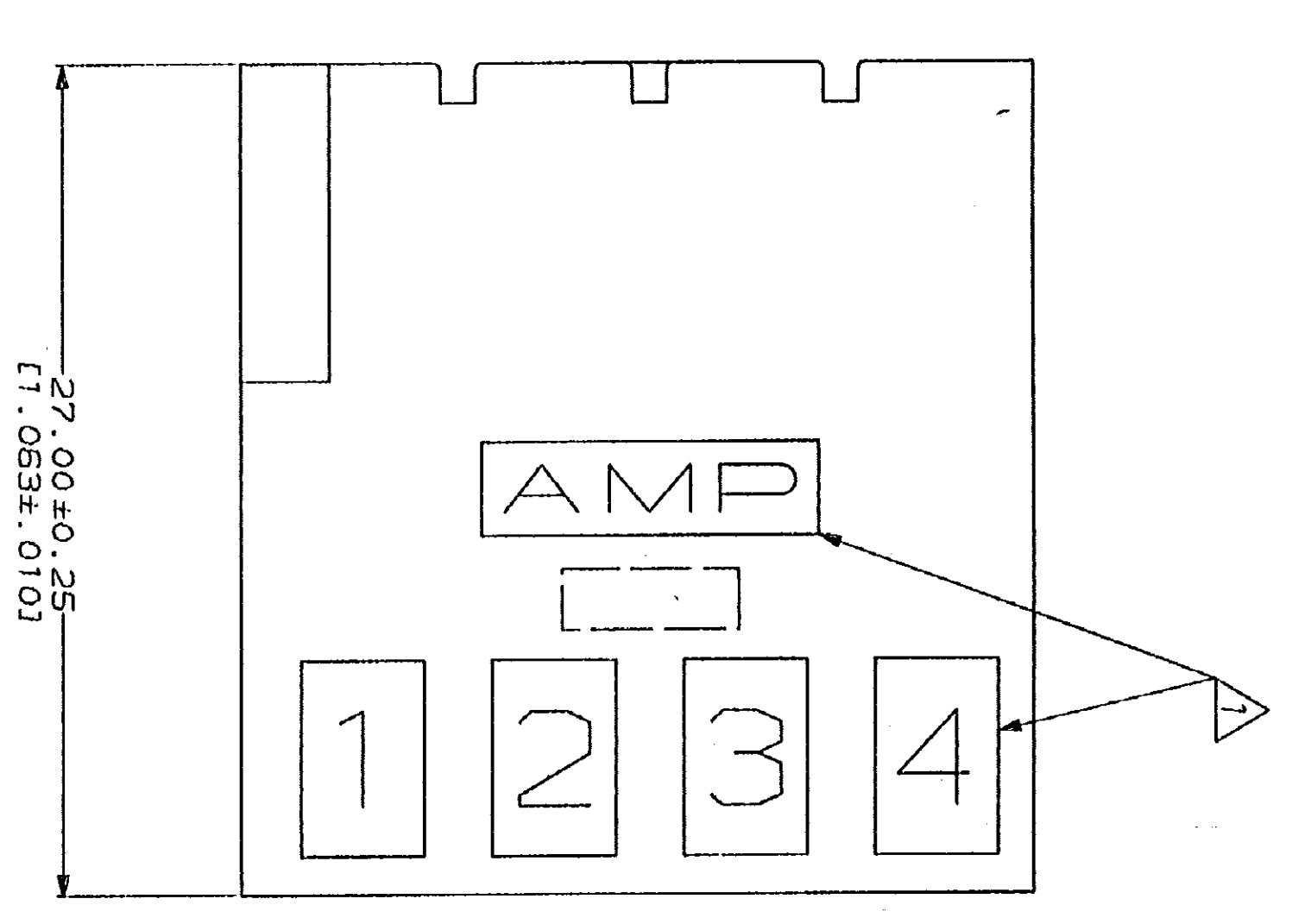
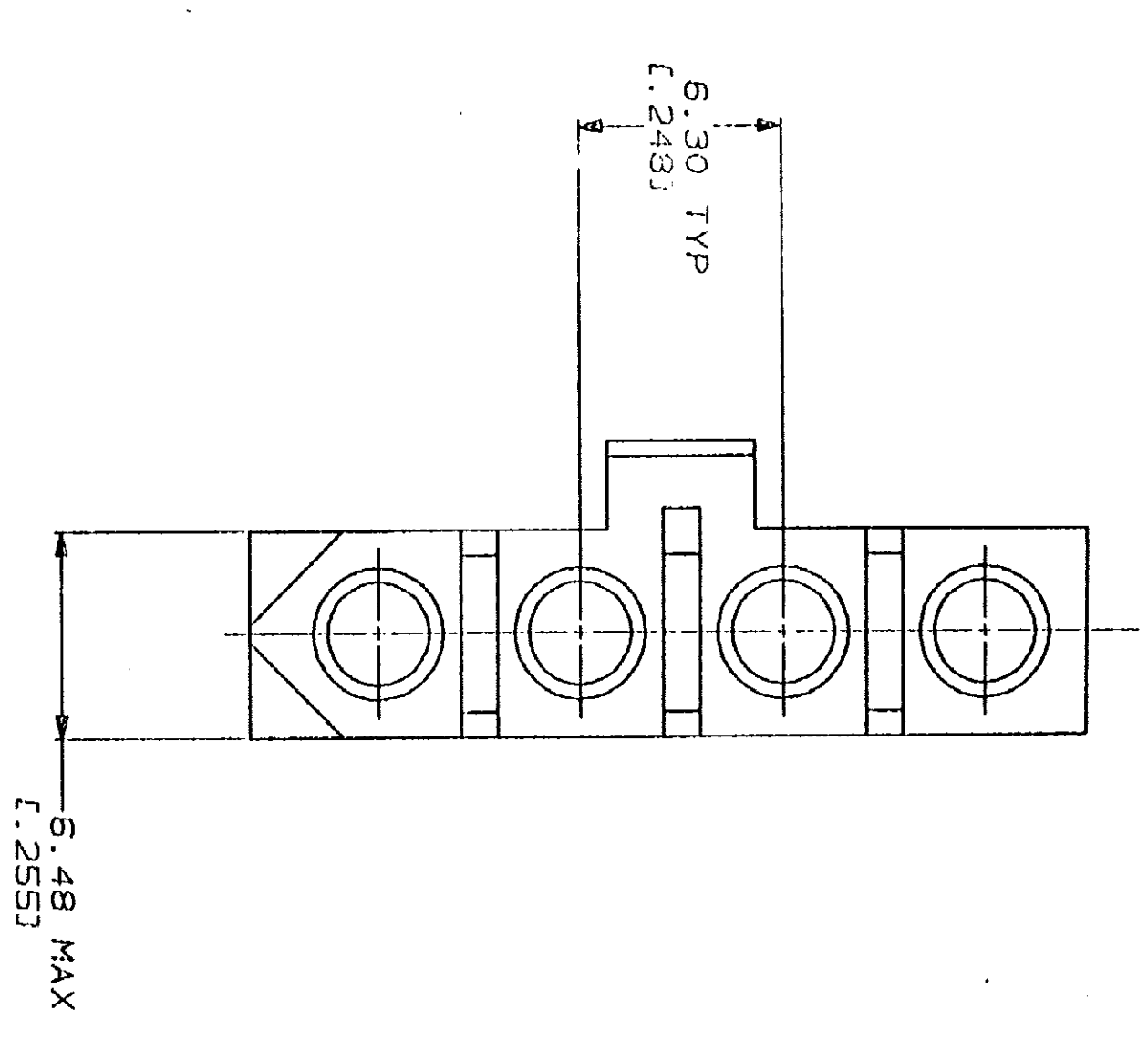


DRAWING MADE IN THIRD ANGLE PROJECTION
 THIS DRAWING IS UNPUBLISHED
 © COPYRIGHT 19
 RELEASED FOR PUBLICATION
 BY AMP INCORPORATED. ALL INTERNATIONAL RIGHTS RESERVED.

| REV | DATE | APPD | DESCRIPTION |
|-----|---------|------|----------------------------|
| 1 | 4-18-91 | RS | |
| 2 | | | B1 REVISED PER ECM CW-3387 |



3 DIMENSIONAL MODEL
NTS

△ AMP LOGO AND CIRCUIT NUMBERS LOCATED IN THIS AREA, EITHER SIDE.
 2. DIMENSIONS IN BRACKETS ARE IN INCHES.

| | | | | | | | |
|---|--|--|-----------------------------|-----------------------------|----------------------|------------------|--------------------------------------|
| DO NOT SCALE PRINT. UNLESS SPECIFIED DIMENSIONS IN mm (INCHES) DIMENSIONS ON 1 3 PLG DEC # 0.13 (0.005) ANGLES # # # # # MATERIAL | | DR K. WHITAKER 10-31-90 | CHK R. SWINE 10-31-90 | APPD C. CASH 10-31-90 | PRODUCT SPEC | APPLICATION SPEC | FINISH NYLON, UL 94V-2 NATURAL |
| NAME RECEPTACLE, POSITIVE LOCK, 4 CIRCUIT, COMMERCIAL PIN AND SOCKET | | AMP AMP Incorporated Harrisburg, PA 17105-3508 | SIZE D 00779 | CAGE CODE 00779 | DRAWING NO 770784 | SCALE 5:1 | WEIGHT |

METRIC

CUSTOMER DRAWING

770784-1
PART NO

AMP GROUP 3323 177-24 1TH DECK